

UPPBLÅSBARA TÄTNINGAR

APS - TYP 3 RITNINGAR INFLATABLE SEALS - TYPE 3 DRAWINGS

Fyrkantig profil

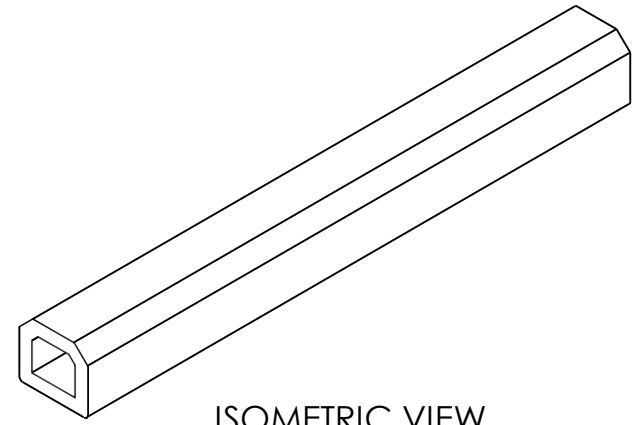
(Klicka på artikelnumret för att komma till rätt ritning)



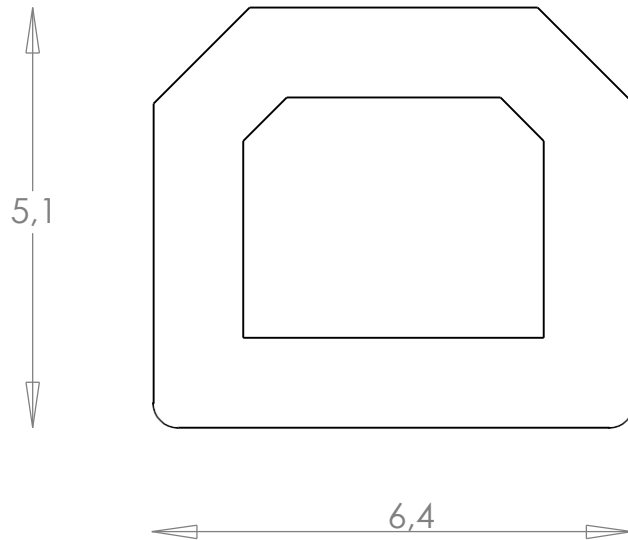
Artikelnamn	Höjd	Bredd	Expansion	Standardmaterial
APS311	5,1	6,4	1,3	CR
APS3185	13,5	12,2	3,2	EPDM
APS3188	14,5	14,0	1,6	VMQ, CR
APS343	10,2	14,0	1,6	VMQ, CR
APS314	12,7	12,7	3,2	EPDM
APS378	10	14,0	3,2	VMQ, CR
APS357	12	16	3,2	VMQ, CR
APS3167	38,1	19,1	4,8	VMQ, CR
APS3179	30,0	28,0	3,2	EPDM
APS3165	31,2	34,3	1,6	EPDM, VMQ, CR
APS370	31,8	34,9	3,2	EPDM
APS342	25,4	35,6	10,5	EPDM
APS363	33,0	36,3	6,4	EPDM
APS397	24,9	36,8	12,7	EPDM
APS3134	24,1	21,1	1,6	VMQ, CR
APS394	23,6	45,7	9,5	EPDM
APS3100	27,2	55,4	12,7	EPDM
APS340	28,6	76,2	25,4	EPDM
APS316	7,1	41,1	19,1	EPDM
APS3110	19,1	31,8	3,2	VMQ, CR
APS324	14,9	36,6	15,9	EPDM
APS3111	19,1	41,7	9,5	VMQ, CR
APS3109	28,6	76,2	25,4	EPDM
APS3164	23,0	101,6	48,3	EPDM
APS3102	47,6	127,0	25,4	CR

*Alla mått är i mm (All dimensions are in millimetres)

*Vi reserverar oss mot eventuella felskrivningar och ändringar



ISOMETRIC VIEW

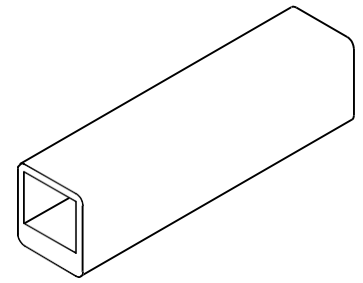


PROPRIETARY AND CONFIDENTIAL
 THE INFORMATION CONTAINED IN THIS DRAWING IS THE SOLE PROPERTY OF DYNAMIC RUBBER, INC. ANY REPRODUCTION IN PART OR AS A WHOLE WITHOUT THE WRITTEN PERMISSION OF DYNAMIC RUBBER, INC. IS PROHIBITED.

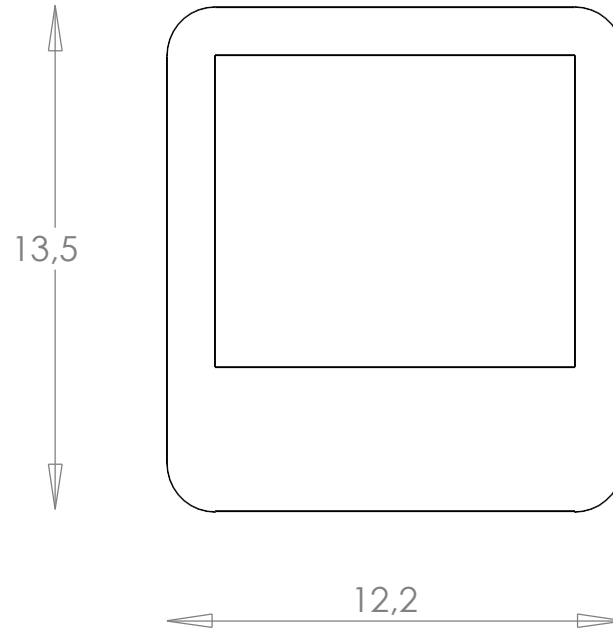
		UNLESS OTHERWISE SPECIFIED:		NAME	DATE
		DIMENSIONS ARE IN INCHES	DRAWN	T. Thompson	10/15/2009
		TOLERANCES:	CHECKED		
		FRACTIONAL \pm	ENG APPR.		
		ANGULAR: MACH \pm BEND \pm	MFG APPR.		
		TWO PLACE DECIMAL \pm	Q.A.		
		THREE PLACE DECIMAL \pm	COMMENTS:		
		INTERPRET GEOMETRIC TOLERANCING PER:			
		MATERIAL			
		FINISH			
NEXT ASSY	USED ON				
APPLICATION		DO NOT SCALE DRAWING			



SIZE	DWG. NO.	REV
A	APS311/DR11	1
SCALE:	WEIGHT:	SHEET 1 OF 1



ISOMETRIC VIEW

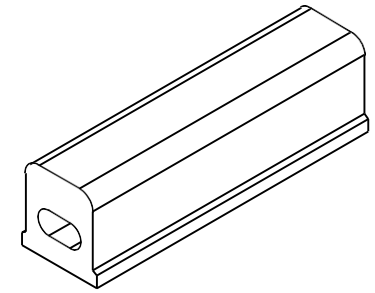


PROPRIETARY AND CONFIDENTIAL
 THE INFORMATION CONTAINED IN THIS DRAWING IS THE SOLE PROPERTY OF DYNAMIC RUBBER, INC. ANY REPRODUCTION IN PART OR AS A WHOLE WITHOUT THE WRITTEN PERMISSION OF DYNAMIC RUBBER, INC. IS PROHIBITED.

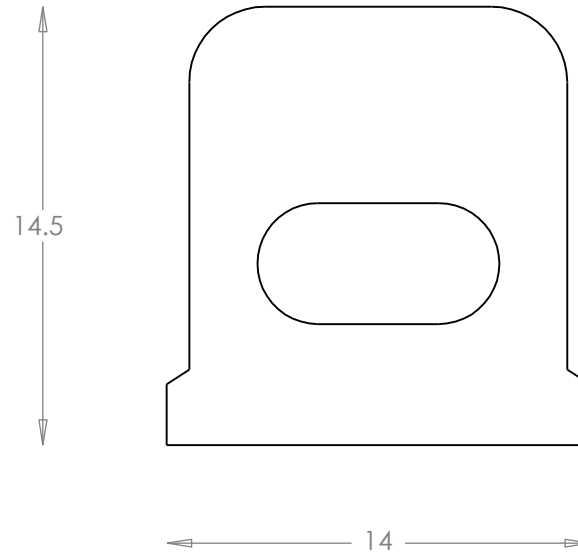
		UNLESS OTHERWISE SPECIFIED:		NAME	DATE
		DIMENSIONS ARE IN INCHES	DRAWN	T. Thompson	10/12/2009
		TOLERANCES:	CHECKED		
		FRACTIONAL \pm	ENG APPR.		
		ANGULAR: MACH \pm BEND \pm	MFG APPR.		
		TWO PLACE DECIMAL \pm	Q.A.		
		THREE PLACE DECIMAL \pm	COMMENTS:		
		INTERPRET GEOMETRIC TOLERANCING PER:			
		MATERIAL			
NEXT ASSY	USED ON	FINISH			
APPLICATION		DO NOT SCALE DRAWING			



SIZE	DWG. NO.	REV
A	APS3185/DR185	1
SCALE:	WEIGHT:	SHEET 1 OF 1



ISOMETRIC VIEW

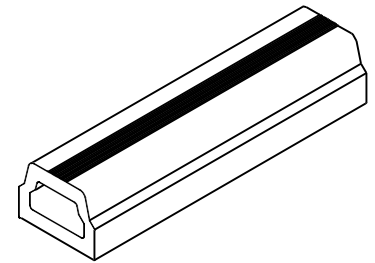


PROPRIETARY AND CONFIDENTIAL
 THE INFORMATION CONTAINED IN THIS DRAWING IS THE SOLE PROPERTY OF DYNAMIC RUBBER, INC. ANY REPRODUCTION IN PART OR AS A WHOLE WITHOUT THE WRITTEN PERMISSION OF DYNAMIC RUBBER, INC. IS PROHIBITED.

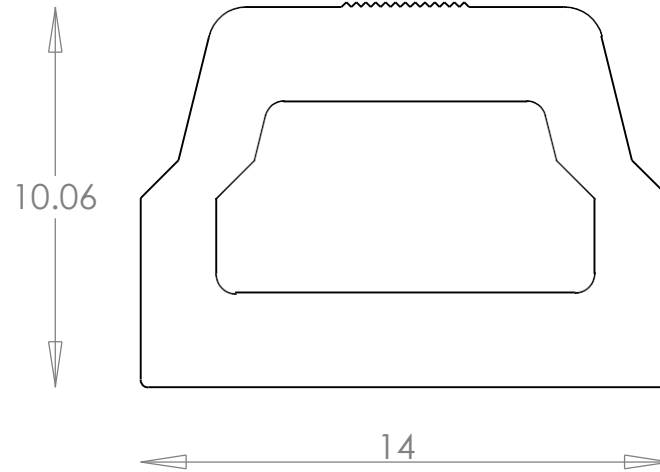
		UNLESS OTHERWISE SPECIFIED:		NAME	DATE
		DIMENSIONS ARE IN MILLIMETERS	DRAWN	Ismael Solis	10/29/2014
		TOLERANCES:	CHECKED		
		FRACTIONAL ±	ENG APPR.		
		ANGULAR: MACH ± BEND ±	MFG APPR.		
		TWO PLACE DECIMAL ±	Q.A.		
		THREE PLACE DECIMAL ±	COMMENTS:		
		INTERPRET GEOMETRIC TOLERANCING PER:			
		MATERIAL			
		FINISH			
NEXT ASSY	USED ON				
APPLICATION		DO NOT SCALE DRAWING			



SIZE	DWG. NO.	REV
A	APS3188/DR188	1
SCALE:	WEIGHT:	SHEET 1 OF 1



ISOMETRIC VIEW

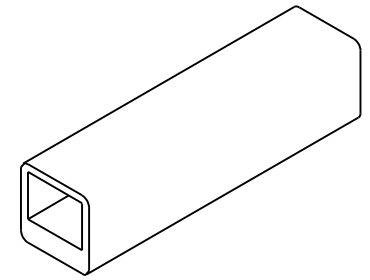


PROPRIETARY AND CONFIDENTIAL
 THE INFORMATION CONTAINED IN THIS DRAWING IS THE SOLE PROPERTY OF DYNAMIC RUBBER, INC. ANY REPRODUCTION IN PART OR AS A WHOLE WITHOUT THE WRITTEN PERMISSION OF DYNAMIC RUBBER, INC. IS PROHIBITED.

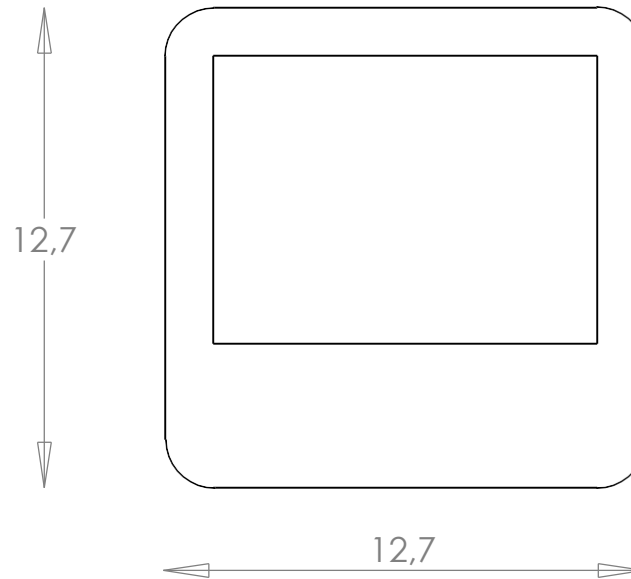
		UNLESS OTHERWISE SPECIFIED:		NAME	DATE
		DIMENSIONS ARE IN MILLIMETERS	DRAWN	T. Thompson	2/26/2010
		TOLERANCES:	CHECKED		
		FRACTIONAL ±	ENG APPR.		
		ANGULAR: MACH ± BEND ±	MFG APPR.		
		TWO PLACE DECIMAL ±	Q.A.		
		THREE PLACE DECIMAL ±	COMMENTS:		
		INTERPRET GEOMETRIC TOLERANCING PER:			
		MATERIAL			
		FINISH			
NEXT ASSY	USED ON				
APPLICATION		DO NOT SCALE DRAWING			



SIZE	DWG. NO.	REV
A	APS343/DR43	1
SCALE:	WEIGHT:	SHEET 1 OF 1



ISOMETRIC VIEW

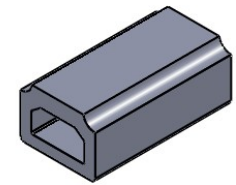


PROPRIETARY AND CONFIDENTIAL
 THE INFORMATION CONTAINED IN THIS DRAWING IS THE SOLE PROPERTY OF DYNAMIC RUBBER, INC. ANY REPRODUCTION IN PART OR AS A WHOLE WITHOUT THE WRITTEN PERMISSION OF DYNAMIC RUBBER, INC. IS PROHIBITED.

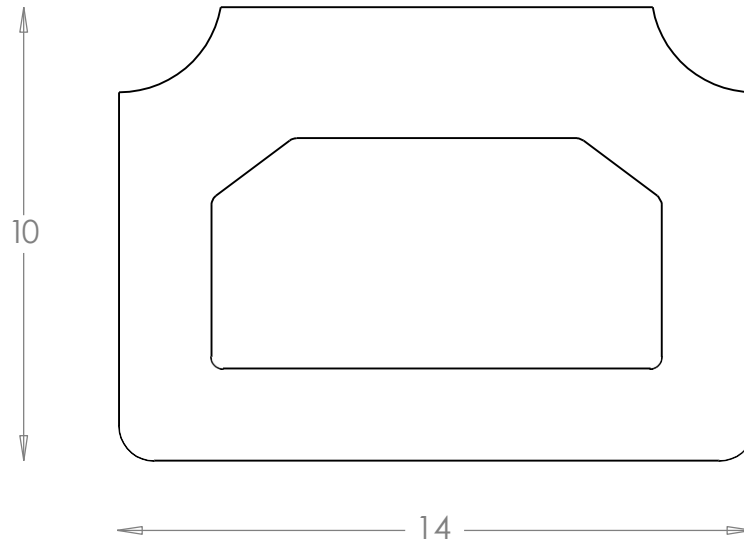
		UNLESS OTHERWISE SPECIFIED:		NAME	DATE
		DIMENSIONS ARE IN INCHES	DRAWN	T. Thompson	10/12/2009
		TOLERANCES:	CHECKED		
		FRACTIONAL \pm	ENG APPR.		
		ANGULAR: MACH \pm BEND \pm	MFG APPR.		
		TWO PLACE DECIMAL \pm	Q.A.		
		THREE PLACE DECIMAL \pm	COMMENTS:		
		INTERPRET GEOMETRIC TOLERANCING PER:			
		MATERIAL			
NEXT ASSY	USED ON	FINISH			
APPLICATION		DO NOT SCALE DRAWING			



SIZE	DWG. NO.	REV
A	APS314/DR14	1
SCALE:	WEIGHT:	SHEET 1 OF 1



ISOMETRIC VIEW

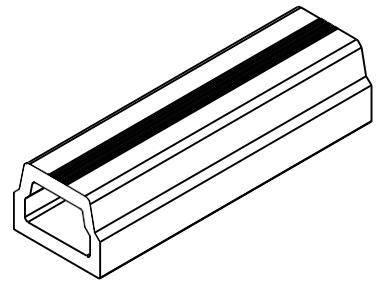


PROPRIETARY AND CONFIDENTIAL
 THE INFORMATION CONTAINED IN THIS DRAWING IS THE SOLE PROPERTY OF DYNAMIC RUBBER, INC. ANY REPRODUCTION IN PART OR AS A WHOLE WITHOUT THE WRITTEN PERMISSION OF DYNAMIC RUBBER, INC. IS PROHIBITED.

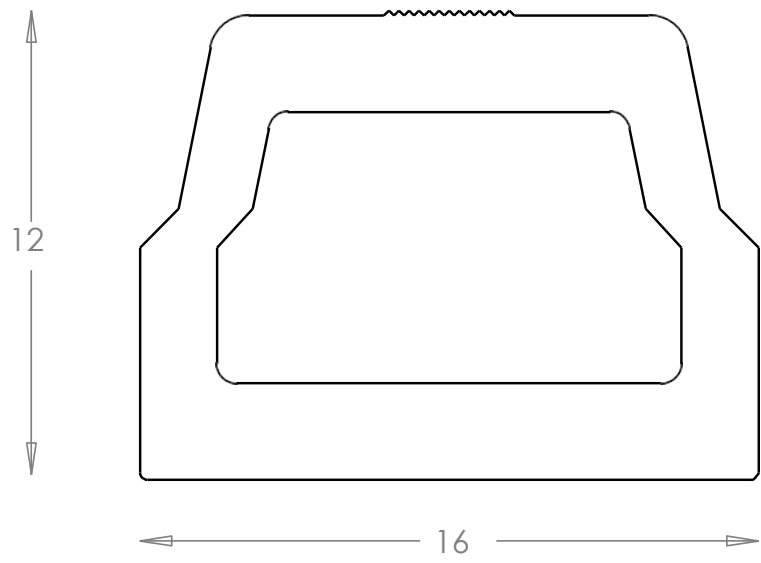
		UNLESS OTHERWISE SPECIFIED:		NAME	DATE
		DIMENSIONS ARE IN Millimeters	DRAWN	David Solis	2/9/2011
		TOLERANCES:	CHECKED		
		FRACTIONAL \pm	ENG APPR.		
		ANGULAR: MACH \pm BEND \pm	MFG APPR.		
		TWO PLACE DECIMAL \pm	Q.A.		
		THREE PLACE DECIMAL \pm	COMMENTS:		
		INTERPRET GEOMETRIC TOLERANCING PER:			
		MATERIAL			
		FINISH			
NEXT ASSY	USED ON				
APPLICATION		DO NOT SCALE DRAWING			



SIZE	DWG. NO.	REV
A	APS378/DR78	1
SCALE:	WEIGHT:	SHEET 1 OF 1



iSOMETRIC VIEW

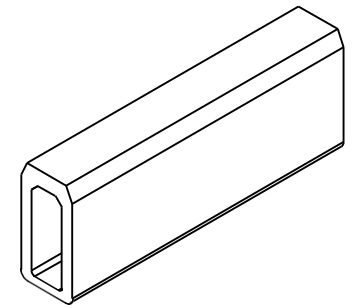


PROPRIETARY AND CONFIDENTIAL
 THE INFORMATION CONTAINED IN THIS DRAWING IS THE SOLE PROPERTY OF DYNAMIC RUBBER, INC. ANY REPRODUCTION IN PART OR AS A WHOLE WITHOUT THE WRITTEN PERMISSION OF DYNAMIC RUBBER, INC. IS PROHIBITED.

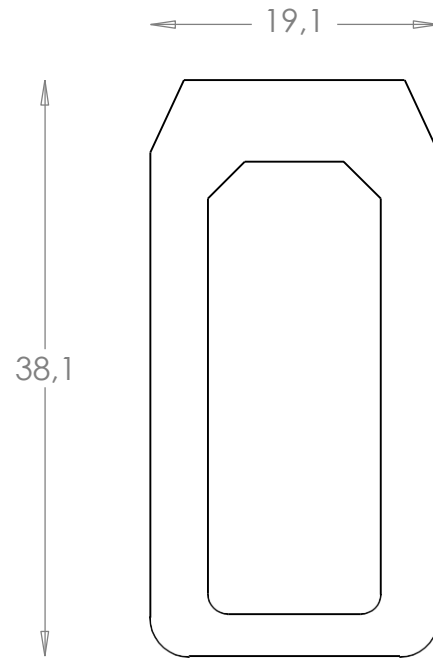
		UNLESS OTHERWISE SPECIFIED:		NAME	DATE
		DIMENSIONS ARE IN MM	DRAWN	David Solis	9/1/2010
		TOLERANCES:	CHECKED		
		FRACTIONAL ±	ENG APPR.		
		ANGULAR: MACH ± BEND ±	MFG APPR.		
		TWO PLACE DECIMAL ±	Q.A.		
		THREE PLACE DECIMAL ±	COMMENTS:		
		INTERPRET GEOMETRIC TOLERANCING PER:			
		MATERIAL			
		FINISH			
NEXT ASSY	USED ON				
APPLICATION		DO NOT SCALE DRAWING			



SIZE	DWG. NO.	REV
A	APS357/DR57	
SCALE:	WEIGHT:	SHEET 1 OF 1



ISOMETRIC VIEW

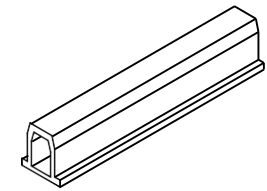


PROPRIETARY AND CONFIDENTIAL
 THE INFORMATION CONTAINED IN THIS DRAWING IS THE SOLE PROPERTY OF DYNAMIC RUBBER INC. ANY REPRODUCTION IN PART OR AS A WHOLE WITHOUT THE WRITTEN PERMISSION OF DYNAMIC RUBBER INC. IS PROHIBITED.

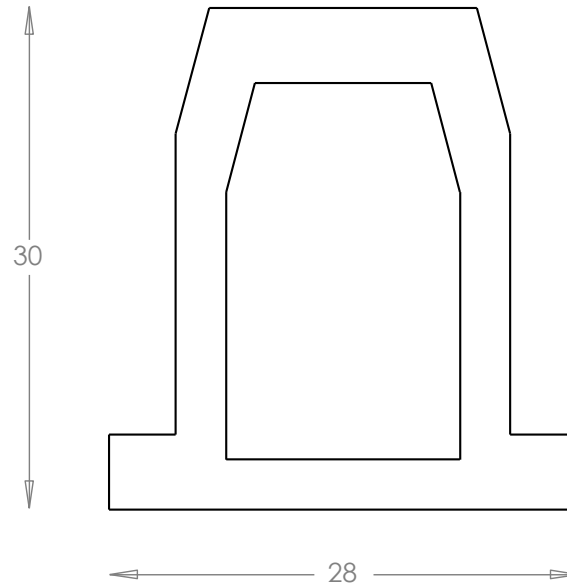
		UNLESS OTHERWISE SPECIFIED:		NAME	DATE
		DIMENSIONS ARE IN INCHES	DRAWN	I. Solis	10/28/2013
		TOLERANCES:	CHECKED		
		FRACTIONAL ±	ENG APPR.		
		ANGULAR: MACH ± BEND ±	MFG APPR.		
		TWO PLACE DECIMAL ±	Q.A.		
		THREE PLACE DECIMAL ±	COMMENTS:		
		INTERPRET GEOMETRIC TOLERANCING PER:			
		MATERIAL			
		FINISH			
NEXT ASSY	USED ON				
APPLICATION		DO NOT SCALE DRAWING			



SIZE	DWG. NO.	REV
A	APS3167/DR167	
SCALE:	WEIGHT:	SHEET 1 OF 1



ISOMETRIC VIEW

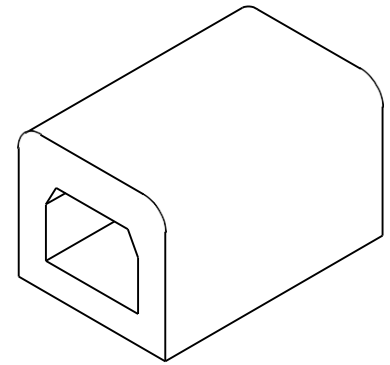


PROPRIETARY AND CONFIDENTIAL
 THE INFORMATION CONTAINED IN THIS DRAWING IS THE SOLE PROPERTY OF DYNAMIC RUBBER, INC. ANY REPRODUCTION IN PART OR AS A WHOLE WITHOUT THE WRITTEN PERMISSION OF DYNAMIC RUBBER, INC. IS PROHIBITED.

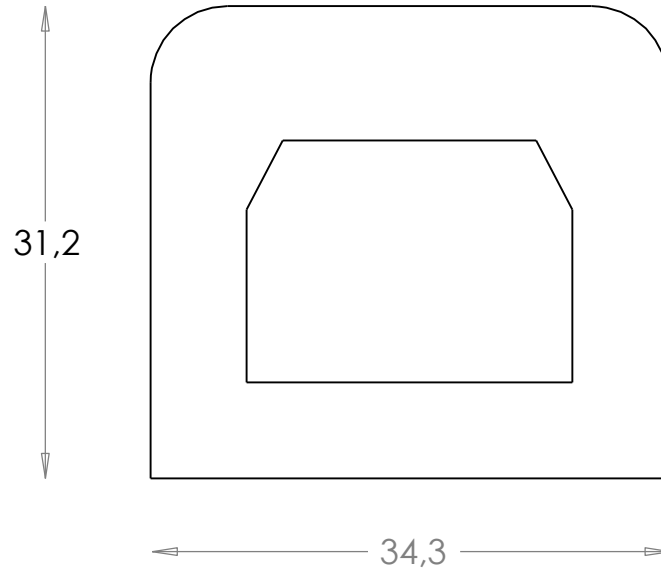
		UNLESS OTHERWISE SPECIFIED:		NAME	DATE
		DIMENSIONS ARE IN MILLIMETERS	DRAWN	Ismael Solis	5/27/2014
		TOLERANCES:	CHECKED		
		FRACTIONAL ±	ENG APPR.		
		ANGULAR: MACH ± BEND ±	MFG APPR.		
		TWO PLACE DECIMAL ±	Q.A.		
		THREE PLACE DECIMAL ±	COMMENTS:		
		INTERPRET GEOMETRIC TOLERANCING PER:			
		MATERIAL			
		FINISH			
NEXT ASSY	USED ON				
APPLICATION		DO NOT SCALE DRAWING			



SIZE	DWG. NO.	REV
A	APS3179/DR179	1
SCALE:	WEIGHT:	SHEET 1 OF 1



ISOMETRIC VIEW

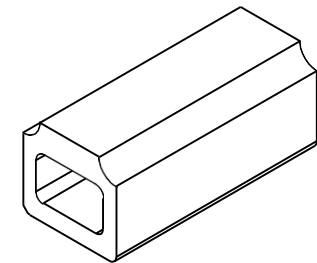
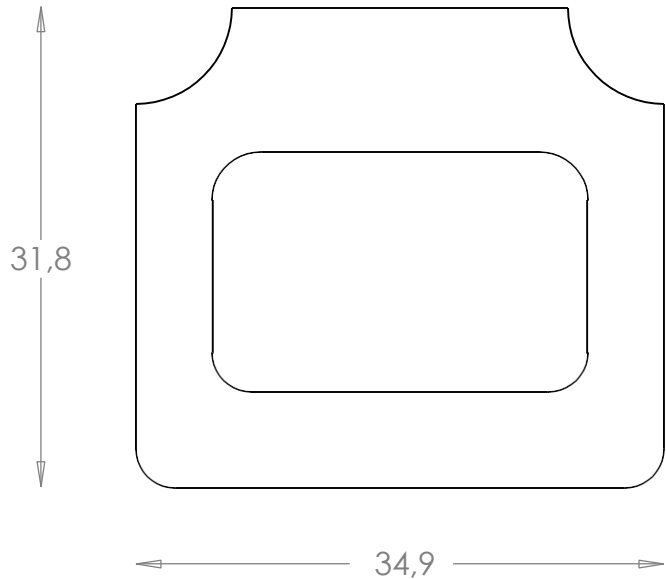


PROPRIETARY AND CONFIDENTIAL
 THE INFORMATION CONTAINED IN THIS DRAWING IS THE SOLE PROPERTY OF DYNAMIC RUBBER, INC. ANY REPRODUCTION IN PART OR AS A WHOLE WITHOUT THE WRITTEN PERMISSION OF DYNAMIC RUBBER, INC. IS PROHIBITED.

		UNLESS OTHERWISE SPECIFIED:		NAME	DATE
		DIMENSIONS ARE IN INCHES	DRAWN	T. Thompson	9/11/2009
		TOLERANCES:	CHECKED		
		FRACTIONAL \pm	ENG APPR.		
		ANGULAR: MACH \pm BEND \pm	MFG APPR.		
		TWO PLACE DECIMAL \pm	Q.A.		
		THREE PLACE DECIMAL \pm	COMMENTS:		
		INTERPRET GEOMETRIC TOLERANCING PER:			
		MATERIAL			
		FINISH			
NEXT ASSY	USED ON				
APPLICATION		DO NOT SCALE DRAWING			



SIZE	DWG. NO.	REV
A	APS3165/DR165	1
SCALE:	WEIGHT:	SHEET 1 OF 1



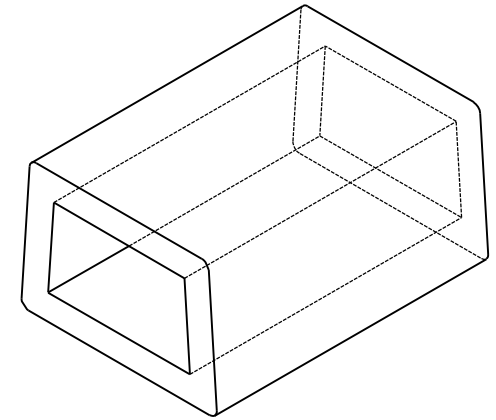
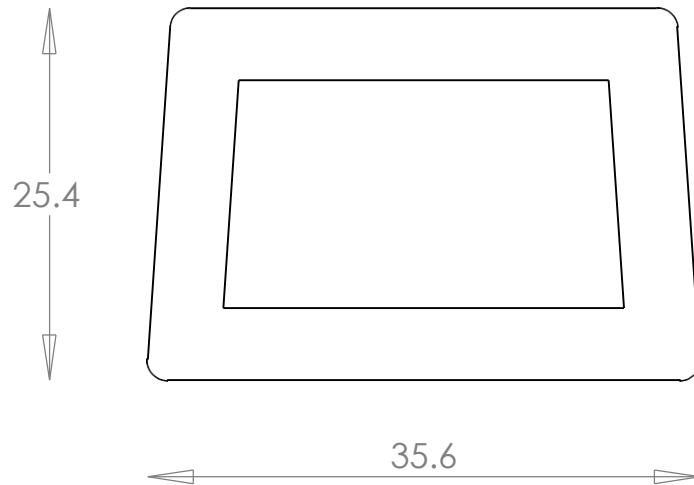
ISOMETRIC VIEW

PROPRIETARY AND CONFIDENTIAL
 THE INFORMATION CONTAINED IN THIS DRAWING IS THE SOLE PROPERTY OF DYNAMIC RUBBER, INC. ANY REPRODUCTION IN PART OR AS A WHOLE WITHOUT THE WRITTEN PERMISSION OF DYNAMIC RUBBER, INC. IS PROHIBITED.

		UNLESS OTHERWISE SPECIFIED:		NAME	DATE
		DIMENSIONS ARE IN INCHES	DRAWN	David Solis	11/3/2010
		TOLERANCES:	CHECKED		
		FRACTIONAL ±	ENG APPR.		
		ANGULAR: MACH ± BEND ±	MFG APPR.		
		TWO PLACE DECIMAL ±	Q.A.		
		THREE PLACE DECIMAL ±	COMMENTS:		
		INTERPRET GEOMETRIC TOLERANCING PER:			
		MATERIAL			
		FINISH			
NEXT ASSY	USED ON				
APPLICATION		DO NOT SCALE DRAWING			



SIZE	DWG. NO.	REV
A	APS370/DR70	1
SCALE: 1:1	WEIGHT:	SHEET 1 OF 1



PROPRIETARY AND CONFIDENTIAL
 THE INFORMATION CONTAINED IN THIS DRAWING IS THE SOLE PROPERTY OF DYNAMIC RUBBER, INC. ANY REPRODUCTION IN PART OR AS A WHOLE WITHOUT THE WRITTEN PERMISSION OF DYNAMIC RUBBER, INC. IS PROHIBITED.

		UNLESS OTHERWISE SPECIFIED:		NAME	DATE
		DIMENSIONS ARE IN INCHES	DRAWN	T. Thompson	1/12/2010
		TOLERANCES:	CHECKED		
		FRACTIONAL \pm	ENG APPR.		
		ANGULAR: MACH \pm BEND \pm	MFG APPR.		
		TWO PLACE DECIMAL \pm	Q.A.		
		THREE PLACE DECIMAL \pm	COMMENTS:		
		INTERPRET GEOMETRIC TOLERANCING PER:			
		MATERIAL			
		FINISH			
NEXT ASSY	USED ON				
APPLICATION		DO NOT SCALE DRAWING			



SIZE	DWG. NO.	REV
A	APS342/DR42	1
SCALE: 2:1	WEIGHT:	SHEET 1 OF 1

Resistenstabell (1-5, varav = bästa egenskaper)

Namn	EPDM*	CR*	NBR*	NR*	IIR*	VMQ*	FVMQ*	FKM*
Draghållfasthet	5	5	5	5	5	3	3	4
Materialhårdhet (Durometer A)	40 - 90	40 - 95	40 - 90	40 - 90	40 - 75	40 - 85	40 - 70	70 - 90
Maxtemperatur (°C)	130	95	115	85	100	235	200	205
Rivhållfasthet	3	3	2	3	3	2	1	2
Slithållfasthet	4	4	3	5	3	1	2	3
Elasticitet vid kyla	3	3	3	3	1	5	3	2
Elasticitet vid värme	4	4	3	2	4	5	5	5
Diffusionstäthet	3	3	3	2	5	2	5	1
Strålningsresistens	5	3	1	3	3	3	5	5
Resistens mot:								
Olja och gas	1	3	5	1	1	2	3	5
Vattenabsorbtion	4	3	4	4	4	5	5	5
Oxidation	5	4	3	2	5	5	5	3
Ozon	5	4	2	2	3	5	5	5
Formförändring i olja	1	3	4	1	1	1	5	5
UV-beständighet	5	4	1	2	4	5	5	3
Värmebeständighet	4	3	3	3	3	5	5	5
Låg temperatur	4	3	3	3	3	5	3	2
Vegetabiliska oljor	2	3	3	1	2	1	5	5
Animaliska oljor	2	2	5	1	2	3	5	5
Öppen låga	1	3	1	1	1	2	5	5
Klorerad kolväte	1	1	1	3	5	1	1	2
Lösningsmedel								
Syresatta ketoner	3	1	1	1	3	1	2	2
Aromatiskt kolväte	1	1	1	1	1	1	5	5
Alifatiskt kolväte	3	5	1	1	1	3	5	4
Syreresistens								
Starkt koncentrat	3	3	3	1	3	2	3	5
Svagt koncentrat	5	5	3	2	5	5	5	5

*EPDM - Etylen-propylen, CR - Chloropren, NBR - Nitril, NR - Naturgummi, IIR - Butyl, VMQ - Silikon, FVMQ - Fluoro silikon, FKM - Fluoroelastomer